

HEAVY DUTY

Trucks Built to Last



FP 4x2 SERIES

FP54J

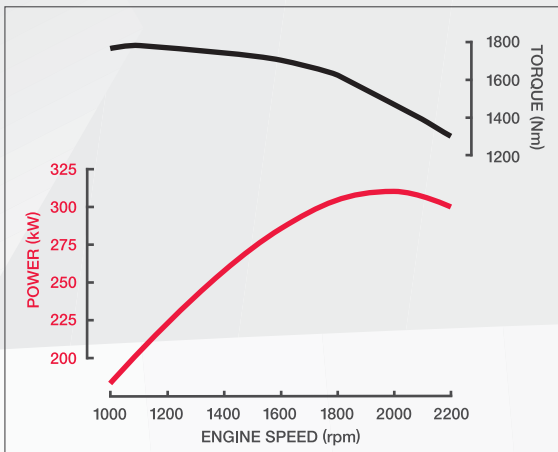
309kW • 10 SPEED • 16000kg GVM • 40000kg GCM • ENGINE BRAKE • AIR SUSPENSION



ENGINE

Mitsubishi FUSO 6M70-6AT4 Diesel (ADR 80/02)

Configuration:	6 Cyl. In-line OHC, 4 Valve
Type:	Turbocharged with Air to Air Intercooler, EGR, PCV & Common Rail Fuel System
Displacement:	12882cc
Bore:	135mm
Stroke:	150mm
Turbocharger:	Variable Nozzle Vane Type
Power (ECE R85-00):	309kW @ 2000 rpm
Torque (ECE R85-00):	1770Nm @ 1100 rpm
Maximum Engine Speed:	2200 rpm
Compression Ratio:	17.5:1
Oil Cooler:	Plate Type, Water Cooled
Air Cleaner:	Dual Element Dry Paper Type with Vertical Intake & Air Restriction Indicator



FUEL

Injection System:	BOSCH Common Rail System
Governor:	Electronic, Speed Limited to 100 km/h
Filtration:	Main Filter & Water Separator
Tank Type:	Rectangular Aluminium
Fuel Capacity:	400 Litres with Locking Fuel Cap

COOLING

Fan:	720mm dia. 10 Blades
Fan Drive:	Thermo Modulated
Radiator:	Corrugated Fin with Expansion Tank

ELECTRICAL

Voltage:	24V Negative Earth
Alternator Capacity:	24V-50 amp
Starter Capacity:	24V-5.5kW
Battery Capacity:	2x12V, 150Ah/20hr
Headlamp - Type:	Rectangular Quartz Halogen
- Capacity:	Outer 2x75/70W Inner 2x70W

CLUTCH

Mitsubishi FUSO C12W43P

Disc Diameter:	430mm
Type:	Pull Type, Single Dry Plate
Operation:	Air Assisted Hydraulic

TRANSMISSION

Mitsubishi FUSO M130S2x5

No. of Speeds:	10 with Air Assisted Gearshift
Synchromesh:	2nd-5th
Oil Cooler:	Oil to Air, Countershaft Driven Oil Pump
	Low High
Ratios - 1st:	8.147 6.407
- 2nd:	4.846 3.811
- 3rd:	2.824 2.221
- 4th:	1.738 1.367
- 5th:	1.000 0.786
- Rev.	7.058 5.550
PTO Opening:	LH Side

PROPELLER SHAFT

Type:	P152
Universal Joint:	Needle Roller

FRONT AXLE

Mitsubishi FUSO F090T

Type:	Reverse Elliot 'I' Beam
Capacity:	7500kg

REAR AXLE

Mitsubishi FUSO R12T/D12H

Type:	Full Floating Hypoid
Capacity:	10800kg
Ratio:	4.222:1

STEERING

Type:	Integral Power Assisted Ball and Nut
Ratio:	21.4 to 23.8:1
Steering Column:	Tilt/Telescopic Adjustable with Lock



1

2

3

BRAKES

Type:	Full Air, Dual Circuit, Mitsubishi FUSO Taper Roller with Automatic Brake Adjustment
Size - Front:	410x150mm
- Rear:	410x200mm
Park Brake:	Rear Wheel Spring Actuated
Auxiliary:	'Powertard' Engine Brake
Trailer:	Hand Control Valve, Air Lines, Coupling & Electrical Cable
Compressor:	Water Cooled, 340cc Single Cyl.
Air Dryer Model:	DU5

FRONT SUSPENSION

Type:	Long Taper Leaf Springs
Size:	1650x90mm Leaves
Shock Absorbers:	Double Acting

REAR SUSPENSION (Air)

Type:	Trailing Arm with Air Dump Control
RFCN:	RF2038
Air Spring:	2x300mm dia.
Trailing Arm:	(665+430)x90x35mm-2 Leaves
Capacity at Ground:	11000kg total
Shock Absorbers:	Double Acting

CHASSIS

Type:	Reinforced Parallel Channel
Size:	276x90x6.0mm
Width:	840mm
Tensile Strength:	540Mpa

WHEELS & TYRES

Wheel - Type:	Single Piece Disc
- Size:	22.5x8.25DC-165-12t
- Stud Pattern:	10x335mm PCD
Tyre - Size Front:	295/80R22.5 152/148M
- Size Rear:	11R22.5 148/145L
- Size Spare:	295/80R22.5 152/148M
Spare Tyre Carrier:	Provided

MASS (kg - estimated)

Model	Front	Rear	Total
FP54JGR4RFAB	4150	1755	5905

Note: Mass (est.) includes oil and water but excludes spare wheel, tools & fuel.

INSTRUMENTS

Gauges:	Speedometer with Odometer & Tripmeter Tachometer Air Pressure (2) Fuel Level Water Temperature
Warning Lamps:	Turn Signal High Beam 'Powertard' Engine Brake Park Brake Trailer Brake Alternator Oil Filter Blockage Engine Control / Cruise Control (ECU) High/Low Gear Range Air Filter Restriction Door Opening
Warning Lamp/Buzzer:	Air Pressure/Brake Dual Circuit Oil Pressure Engine Overheat/Low Coolant Level Engine Overrun Cab Tilt Air Rear Suspension

CAB FEATURES

All Steel Forward Control	
Type:	Sleeper Berth, complies with ADR42/04 Elec/Hyd. Tilt 50 deg. Coil Suspension, 4 Point Natural White Fully Trimmed Laminated Tinted
Mounting:	
Colour:	
Interior:	
Windscreen:	2 Speed + Intermittent Cycle
Windscreen Wipers:	Heated
Rear Vision Mirrors - RH:	Remote/Heated with Convex Spotter
- LH:	2
Seating Capacity:	2 ELR Lap Sash
Seat Belts:	Air Suspension with Auto Levelling Height Control 4 Way Adjustable with Lumbar Support Headrest & Fabric Trim Fixed Base
Seats - Driver:	Headrest & Fabric Trim
- LH:	

MAX. LOADING

Front	Rear	Total
6500kg	10800kg	16000kg



5

1. New powerful, lower emission EGR engine with 20% more power and 16% more torque than the ADR80/00 model.
2. Front panel access for quick and easy maintenance.
3. Spacious cab with climate control, CD player, cruise control, electric windows, central locking and loads of storage space.
4. Large lockable alloy fuel tank give excellent range between fills.
5. Air suspension driver's seat provides excellent comfort and support.



Tractor

SPECIFICATIONS

STANDARD FEATURES

Driving

- ADR 42/04 Approved Sleeping Berth
- Sleeper Mattress & Curtains
- Electric Windows
- Central Locking
- Climate Control
- Radio / CD Player
- Cruise Control (range 40 to 100 km/hr)
- Engine Idle Speed Control
- Opening Rear Quarter Glass
- Cup Holder
- Trailer Package (hand control valve, air line, coupling & electrical cable)
- Accessory Power Outlet / Cigar Lighter
- Fluorescent Cabin Lamp
- Interior Sun Visors

Storage

- Dash Storage Tray 2 DIN Glove Compartments
- Centre Storage Console
- LH Seat Storage Tray
- LH & RH Overhead Storage Pockets with Lid

Cab: External

- Door Side Impact Beams
- Halogen Fog Lamps
- Tinted Side & Rear Glass
- Roof Mounting Points (max. static load 50kg)
- Front End-Outline Marker Lamps
- Dual Air Horns

Chassis

- Tool Kit
- Chassis Mounted Tool Box
- Reverse Warning Buzzer
- Front Bumper Air Dam

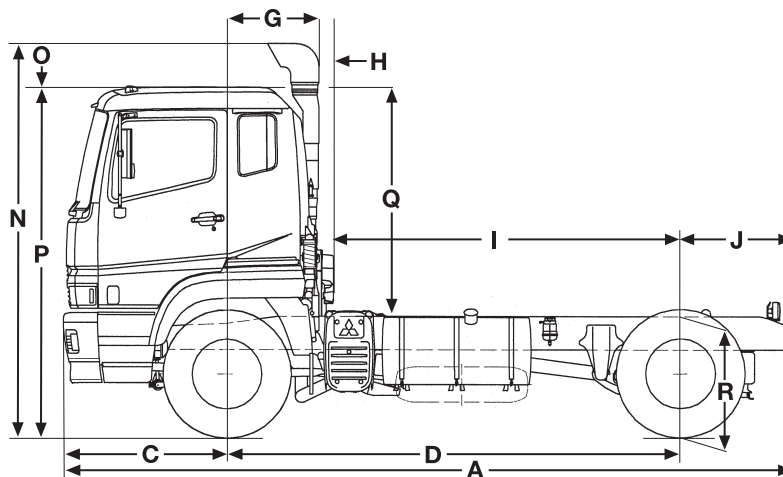
DIMENSIONS (mm)

		FP54JGR 4RFAB
Width	Front Fender:	2490
	Rear Axle:	2465
Length	Front Track:	2045
	Rear Track:	1850
	Frame:	840
	A Overall:	6115
	C Front Overhang:	1370
Height	D Wheelbase:	3800
	G Front Axle to Rear of Cab:	770
	H Rear of Cab to Trailer Valve:	126
	I Frame, Trailer Valve to Rear Axle:	2904
	J Frame, Rear Axle to End:	945
	N Overall:	3240
	O Air Intake to Cab Roof:	360
	P Cab to Ground:	2880
	Q Cab to Frame:	1924
	R Rear Frame to Ground, Suspension - Inflated:	986
	- Deflated:	936
	Ground Clearance:	205

PERFORMANCE (Calculated - Paved Road)

Electronically Speed Limited to (km/h):	*100
Gradeability** at Rated GCM:	28.1%
Turning Circle (kerb to kerb):	12.8m
* Conforms to ADR 65/00	
** This is Theoretical Performance (it may vary under different conditions).	

	WARRANTY
	Basic/Powertrain - 3 Years, 200000kms, 4000 operating hours: and 3 Years Cab Perforation/Anti Corrosion. <small>* whichever occurs first. See www.fuso.com.au for full details.</small>



Note: Chassis reinforcement must be utilised for Tipper/Demountable type body configurations.

To conform with ADR 13/00 and 14/02 (lighting/mirror requirements) the following must be adhered to at body installation.

- If overall width exceeds 2.1 metres and other than a flat type or tipper body is fitted, rear end-outline marker lamps must be installed.
- If overall length exceeds 6.0 metres, side reflectors must be installed.
- If overall width exceeds 2.1 metres and length exceeds 7.5 metres, side marker lamps must be installed.
- If overall width is less than 2.2m, the mirrors must be modified to project not more than 230mm.

To conform with ADR 42/04 (General Safety), rear wheel guards must be fitted to the vehicle.

Unless specified in writing herein the accessories, applications, bodies or equipment depicted in this document are for illustration purposes only and may not be available from Mercedes-Benz Australia/Pacific Pty Ltd (ABN 23 004 411 410) ("MBAuP"). No representation or warranty whatsoever is given in relation to any accessories, applications, bodies or equipment or suitability of same that are shown herein that may be manufactured, supplied or fitted by a party other than MBAuP. MBAuP reserves the right without notice or obligation to discontinue or make changes to the colour, designs, materials and specifications of the products and options referred to herein at any time. For the most current information and in order to ascertain which accessories, applications, bodies and equipment are available from MBAuP please contact your authorised Mitsubishi FUSO truck and bus dealer. Fuso is a registered trademark of Mitsubishi Fuso Truck & Bus Corporation. Copyright © MBAuP. Reproduction in whole or part prohibited without written approval.

