

# CANTER

The 'Not So Squeezy' Performer



## FE 4.0 4x2 Diesel

FE85D

110kW • 471Nm • 7500kg GVM • 11000kg GCM • FRONT & REAR DISC BRAKES • ABS



Crew Cab Available.



Optional weight downgrade to 4500kg GVM / 8000kg GCM Passenger Car Licence.

[www.fuso.com.au](http://www.fuso.com.au)

# SPECIFICATIONS

MODEL: FE85DE6SRFAB mwb  
FE85DG6SRFAB lwb  
FE85DGWSRFAB crew cab

WHEELBASE: 3350mm  
3850mm  
3850mm

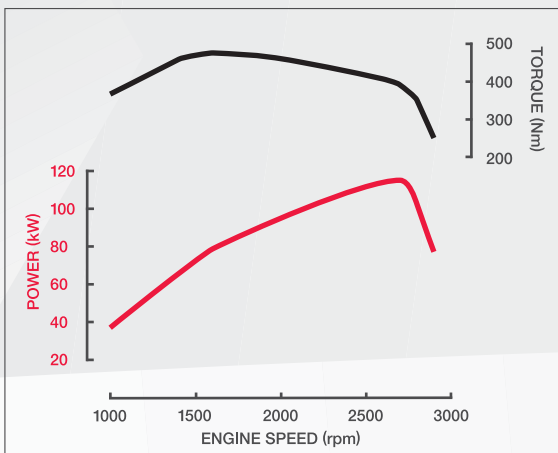
## ENGINE

### Mitsubishi FUSO 4M50-3AT7 Diesel (ADR 80/02)

Configuration: 4 Cyl. In-line DOHC, 4 Valve  
Type: Turbocharged & Air to Air Intercooler,  
EGR, PCV & Quick Heat Glow Plugs  
Catalytic Converter

Displacement: 4899cc  
Bore x Stroke: 114 x 120mm  
Power (ECE R85-00): 110kW @ 2700 rpm  
Torque (ECE R85-00): 471Nm @ 1600 rpm  
(Limited to 382Nm in 1st & Rev. Gear)

Maximum Engine Speed: 2900 rpm  
Compression Ratio: 17.5:1  
Oil Cooler: Plate Type, Water Cooled  
Air Cleaner: Dry Paper Element with Vertical Intake



## FUEL

Pump: BOSCH Common Rail System  
Governor: Electronic  
Filtration: Main Filter with Water Separator  
Fuel Capacity: 125 Litres

## COOLING

Fan: 500mm dia. 8 Blades  
Fan Drive: Thermo Modulated  
Radiator: Corrugated Fin with Expansion Tank

## ELECTRICAL

Voltage: 12V Negative Earth  
Alternator Capacity: 12V-100 amp  
Starter Capacity: 12V-3.0kW  
Battery Capacity: 2x12V, 88Ah/5hr in Parallel  
Headlamp: 2x60/55W Halogen

## CLUTCH

### Mitsubishi FUSO C5W33

Disc Diameter: 325mm  
Type: Single Dry Plate  
Operation: Hydraulic with Direct Power Cylinder

## TRANSMISSION

### Mitsubishi FUSO M036S5

No. of Speeds: 5 with In-Dash Gearshift Control  
Synchronesh: 2nd-5th  
Ratios - 1st: 5.175  
- 2nd: 2.913  
- 3rd: 1.682  
- 4th: 1.000  
- 5th: 0.715  
- Rev: 5.175  
PTO Opening: LH Side

## PROPELLER SHAFT

Type: P3  
Universal Joint: Needle Roller

## FRONT AXLE

Type: Reverse Elliot 'I' Beam  
Capacity: 3000kg

## REAR AXLE

### Mitsubishi FUSO D035H

Type: Full Floating Hypoid  
Capacity: 5640kg  
Ratio: 5.285:1

## STEERING

Type: Integral Power Assisted Ball & Nut  
Ratio: 22.7:1  
Steering Column: Tilt/Telescopic Adjustable with Lock



GVM: 7500kg  
7500kg  
7500kg

GCM: 11000kg  
11000kg  
11000kg

Optional: GVM: 4500kg  
4500kg  
4500kg

GCM: 8000kg  
8000kg  
8000kg



### BRAKES

Type: Ventilated Disc, Dual Caliper  
Hydraulic Dual Circuit with ABS  
Size - Front: 252x40mm  
- Rear: 252x40mm  
Park Brake: Transmission Mounted  
Auxiliary: Exhaust Brake  
Vacuum Reservoir Capacity: 4.0 Litres

### FRONT SUSPENSION

Type: Parabolic Leaf with Stabiliser Bar  
Size: 1200x70mm Leaves  
Shock Absorbers: Double Acting

### REAR SUSPENSION

Type: Semi-Elliptic Leaf with Stabiliser Bar  
Size: 1250x70mm Leaves  
Auxiliary: 990x70mm Leaves  
Shock Absorbers: Double Acting

### WHEELS & TYRES

Wheel - Type: 7, Single Piece Disc  
- Size: 17.5x6.00DC-127-9t  
- Stud Pattern: 6x222.25mm PCD  
Tyre - Size: 215/75R17.5LT 124/123L  
Spare Tyre Carrier: Provided

### CHASSIS

Type: Reinforced Tapered Channel  
Size: 193x61.5x6.0mm  
Width: 753mm  
Tensile Strength: 440 MPa

### OPTIONS

H31: 4500/8000kg GVM/GCM Rating  
R36: Driver's Air Bag & Seat Belt Pre-Tensioner

### MASS (kg - estimated)

Model	Front	Rear	Total
FE85DE6SRFAB	1805	800	2605
FE85DG6SRFAB	1825	800	2625
FE85DGWSRFAB	1935	910	2845

Note: Mass (est.) includes oil and water but excludes spare wheel, tools & fuel.

### INSTRUMENTS

Gauges: Speedometer with Odometer & Dual Tripmeter  
Tachometer  
Fuel Level, Water Temperature  
High Beam  
Warning Lamps: Turn Signal / Hazard Warning  
Park Brake / Brake Dual Circuit  
Exhaust Brake, Low Vacuum, ABS  
Engine Pre-Heat  
Alternator  
Low Oil Pressure  
Engine Control (ECU)  
Fuel water Separator  
Heated Mirrors  
SRS Air Bag (R36 opt. only)

### CAB FEATURES

#### All Steel Forward Control

Type: E, G. Manual Tilt 45°  
GW. Fixed  
Mounting: E, G. Hydroelastic 4 Point  
GW. Isolated Rubber 6 Point  
Natural White  
Fully Trimmed  
Laminated Tinted  
Windscreen: 2 Speed + Intermittent Cycle  
with Integrated Washer Nozzles  
Telescopic & Tilt  
Steering Column: Telescopic & Tilt  
Rear Vision Mirrors: 1 x Internal, 2 x External Convex (ECE R46) - Heated  
Seating Capacity: E, G. 3  
GW. 7  
Seat Belts: E, G. 2 ELR Lap Sash, 1 Lap  
GW. 4 ELR Lap Sash, 3 Lap  
228mm Sliding  
47° Reclining  
Headrest & Fabric Trim  
- LH: Flat Folding, 2 Passenger Bench  
LH Headrest & Fabric Trim  
Bench Type  
- Rear GW: Bench Type  
- Low Back with Fabric Trim

### MAX. LOADING

Front	Rear	Total *
3000kg	5640kg	7500kg

\*Optional 4500kg total loading.



1. New powerful, lower emission engine has 7% more power and 29% more torque\* for even better performance. (\*compared to ADR80/00 model)
2. Front and rear disc brakes with ABS provide superior stopping power and safety.
3. Spacious "not so squeezey" cab makes for an extremely comfortable mobile workplace.
4. Feature packed cab with dash mounted gear stick, air conditioning, CD player, power windows and keyless central locking. Driver's side airbag is optional.
5. Doors open wide for easier access to cab.
6. Supersize, heated, convex mirrors can fold flat against the cab.

# SPECIFICATIONS



Agitator



Compactor



Freezer Van



Tray Top



Cubic Van

## STANDARD FEATURES

### Driving

- Keyless Central Locking
- Electric Windows (front only GW)
- 12V Accessory Power Outlet / Cigar Lighter
- Air Conditioner / Heater / Demister
- Radio / CD Player
- Cup Holders (2)
- Interior Sun Visors
- Fluorescent Cabin Lamp (except GW)
- Interior Dome Lamp with Delay Function
- Engine Idle Speed Control

### Storage

- Dash Storage Tray, 2 DIN Glove Compartment
- RH Overhead Storage Pocket
- Door Storage Pockets
- Floor Console, LH Seat Back Trays
- Coat Hooks (except GW)

### Cab: External

- Roof Mounting Points (except GW - max. static load 50kg)
- Front End-Outline Marker Lamps
- Door Side Impact Beams (front only GW)
- Tinted Side & Rear Glass

### Chassis

- Tool Kit
- Chassis Mounted Tool Box (except GW)
- Reverse Warning Buzzer

## DIMENSIONS (mm)

		FE85DE 6SRFAB	FE85DG 6SRFAB	FE85DGW SRFAB
Width	Front Fender:	1995	1995	1995
	Rear Axle:	2035	2035	2035
Length	Front Track:	1665	1665	1665
	Rear Track:	1560	1560	1560
	Frame:	753	753	753
	Max. Body Width - General Application:	2335	2335	2335
	A Overall:	6008	6728	6735
	C Front Overhang:	1145	1145	1145
Height	D Wheelbase:	3350	3850	3850
	G Front Axle to Rear of Cab:	525	525	1525
	H Rear of Cab to Engine Cover:	60	60	n/a
	I Frame, Engine Cover to Rear Axle:	2765	3265	n/a
	H Rear of Crew Cab to Air Intake Snorkel:	n/a	n/a	50
	I Frame, Air Intake Snorkel to Rear Axle:	n/a	n/a	2275
	J Frame, Rear Axle to End:	1480	1700	1700
	P Cab to Ground:	2240	2240	2305
Ground Clearance:	Q Cab to Frame:	1514	1514	1579
	R Rear Frame to Ground:	825	825	820
	Ground Clearance:	180	180	180

## PERFORMANCE (Calculated - Paved Road)

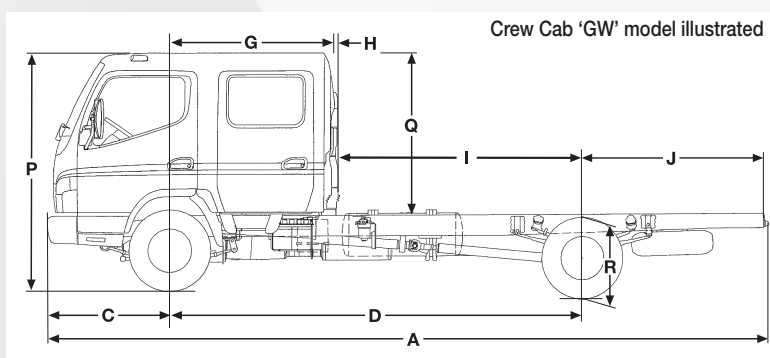
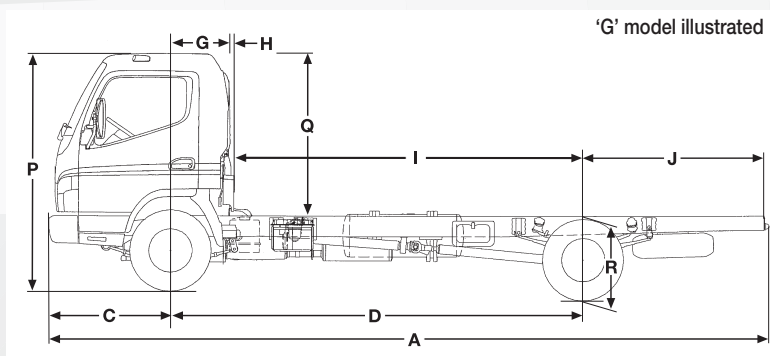
Road Speed (km/h) at Max. Engine Speed:	108	108	108
Gradeability** at Rated GVM:	35.5%	35.5%	35.5%
Gradeability** at Rated GCM:	23.1%	23.1%	23.1%
Turning Circle (kerb to kerb):	12.0m	13.6m	13.6m

\*\*This is Theoretical Performance (it may vary under different conditions).

**WARRANTY**

**3 Year & 3 Year**

Basic/Powertrain  
- 3 Years,  
100000kms,  
2000 operating hours:  
and 3 Years Cab  
Perforation/Anti Corrosion.  
\* whichever occurs first.  
See [www.fuso.com.au](http://www.fuso.com.au) for full details.



Note: Chassis reinforcement must be utilised for Tipper/Demountable type body configurations.

To conform with ADR 13/00 and 14/02 (lighting/mirror requirements) the following must be adhered to at body installation.

- If overall width exceeds 2.1 metres and other than a flat type or tipper body is fitted, rear end-outline marker lamps must be installed.
- If overall length exceeds 6.0 metres, side reflectors must be installed.
- If overall width exceeds 2.1 metres and length exceeds 7.5 metres, side marker lamps must be installed.
- If overall width is less than 2.2m, the mirrors must be modified to project not more than 230mm.

To conform with ADR 42/04 (General Safety), rear wheel guards must be fitted to the vehicle.

Unless specified in writing herein the accessories, applications, bodies or equipment depicted in this document are for illustration purposes only and may not be available from Mercedes-Benz Australia/Pacific Pty Ltd (ABN 23 004 411 410) ("MBAuP"). No representation or warranty whatsoever is given in relation to any accessories, applications, bodies or equipment or suitability of same that are shown herein that may be manufactured, supplied or fitted by a party other than MBAuP. MBAuP reserves the right without notice or obligation to discontinue or make changes to the colour, designs, materials and specifications of the products and options referred to herein at any time. For the most current information and in order to ascertain which accessories, applications, bodies and equipment are available from MBAuP please contact your authorised Mitsubishi FUSO truck and bus dealer. Fuso is a registered trademark of Mitsubishi Fuso Truck & Bus Corporation. Copyright © MBAuP. Reproduction in whole or part prohibited without written approval.

